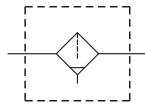


MAF401 series

AIR UNIT (FILTER)



Symbol



Specification

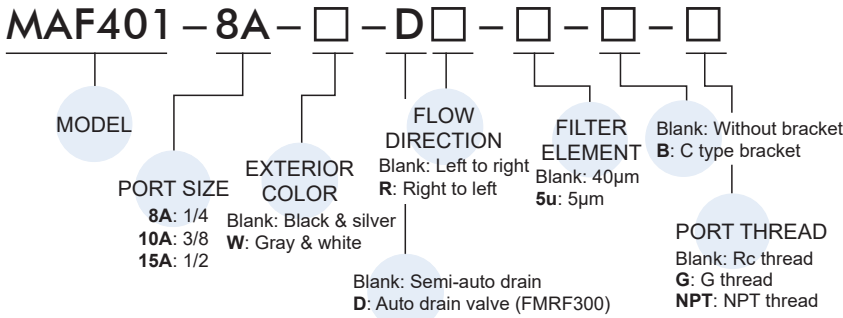
| Model | MAF401 | | |
|---------------------------------|-----------------------------|------|------|
| Bore No. | 8A | 10A | 15A |
| Port size | 1/4 | 3/8 | 1/2 |
| Medium | Air | | |
| Operating pressure range (*1,2) | 0.05~1.5 MPa | | |
| Proof pressure | 2 MPa | | |
| Ambient temperature | -5~+60°C (No freezing) | | |
| Filter element | Standard: 40µm, Option: 5µm | | |
| Drain capacity | 70 cm ³ | | |
| Max. flow rate(*3) ℓ/min(ANR) | 1500 | 2000 | 2500 |
| Weight | 480 g | | |

*1. Standard unit contains semi-auto-drain function when operating pressure below 0.05 MPa.

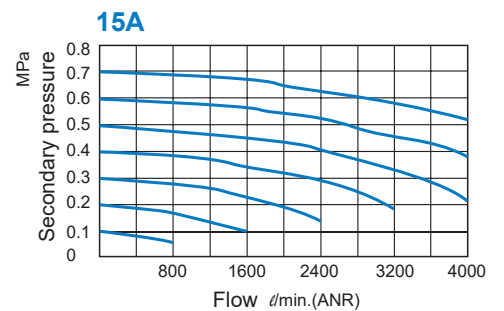
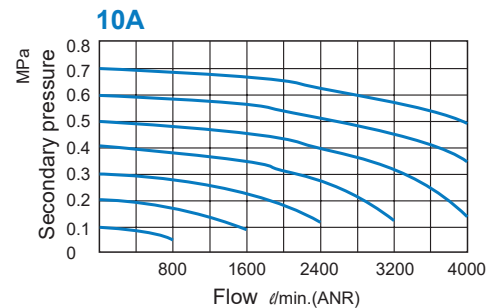
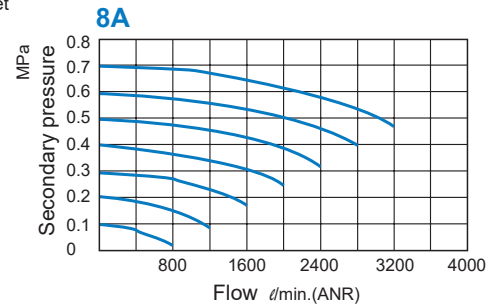
*2. Choose auto-drain FMRF300, the pressure range is 0.15~1 MPa.

*3. Flow is at pressure P=0.7 MPa with pressure drop ΔP=0.03 MPa.

Order example



Flow feature



Option accessories

