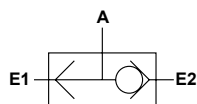




Symbol



Features

- This valve has two input inlets(E1,E2) and can be controlled in different position.
First activated position can get through to output signal(A).

Specification

Model	MVAS	
Bore No.	6A	8A
Port size	Rc1/8	Rc1/4
Medium	Air	
Operating pressure range	0.1~1 MPa	
Proof pressure	1.5 MPa	
Effective orifice	11.5 mm ²	30.5 mm ²
Ambient temperature	-15~+60°C (No freezing)	
Weight	43 g	119 g

Order example

MVAS — 6A — G

MODEL

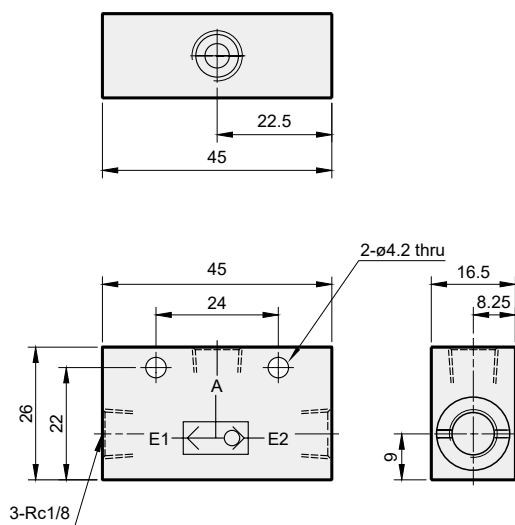
PORT SIZE

PORT THREAD

6A: Rc1/8
8A: Rc1/4

Blank: Rc thread
G: G thread
NPT: NPT thread

MVAS-6A



MVAS-8A

