

MVSE-500 series

SOLENOID VALVE



Inner structure



Selection table



Blocking plate



Technical data



Caution for safety
(Read before installing)



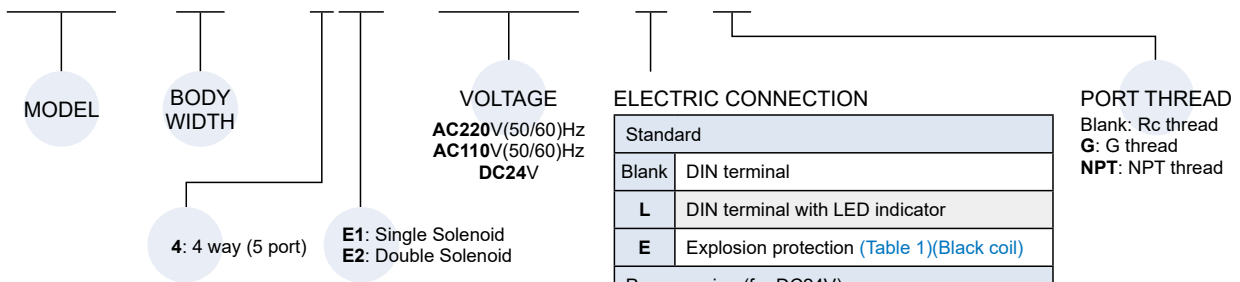
Specification

Model	4E1	4E2
Bore No.	15A	
Port size	1/2	
No. of port	5	
No. of position	2	
Medium	Air	
Operating perssure range	0.2~1.2 MPa	
Proof pressure	1.5 MPa	
Effective orifice	41 mm ²	
Reponse time	50 ms	
Ambient temperature	-5~+50°C (No freezing)	
Voltage	AC110V, 220V (50/60)Hz, DC24V	
Power consumption	Standard	AC=4.8/4.4VA, 6/4.9VA, DC=2W
	Power saving	DC=Start: 2W (*) Power saving: 0.5W
Available voltage range	±10%	
Insulation class	F class	
Weight	453 g	554 g

* Power saving covert time 100ms.

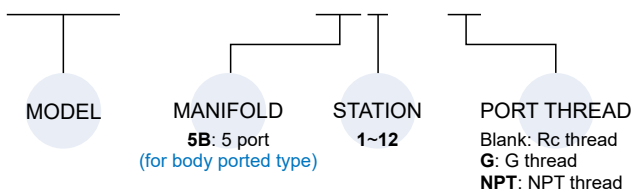
Order example of valve

MVSE – 500 – 4E2 – AC110 – L – G



Order example of manifold

MVSE – 500 – 5B3 – G



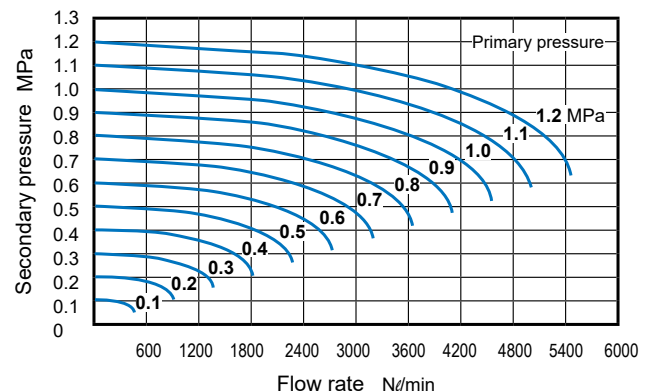
* Starting from 11 stations, manifolds are made to order.

Table 1

Property for explosion-proof type

Anti-explosion class	Ex mb IIC T4 Gb
Voltage	AC110V / 220V(50/60)Hz, DC24V
Power consumption	AC110V=4.5VA, AC220V=4.8VA, DC=5W
Available voltage range	±10%
Insulation class	F class
Wire length	3 m

Flow features

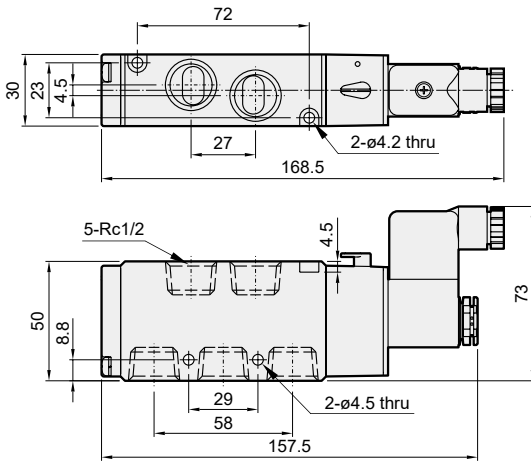
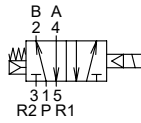


MVSE-500 Dimensions

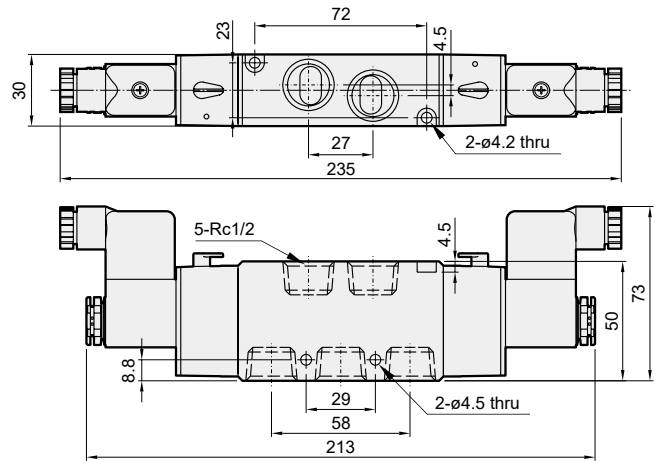
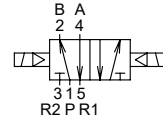
SOLENOID VALVE



MVSE-500-4E1



MVSE-500-4E2



Manifold of solenoid valve

MVSE-500-5B*

5 port (for body ported type)

No. of stations	P	L
1	40	50
2	71	81
3	102	112
4	133	143
5	164	174
6	195	205
7	226	236
8	257	267
9	288	298
10	319	329

P: (No. of stations-1)×31+40

L: (No. of stations-1)×31+50

